

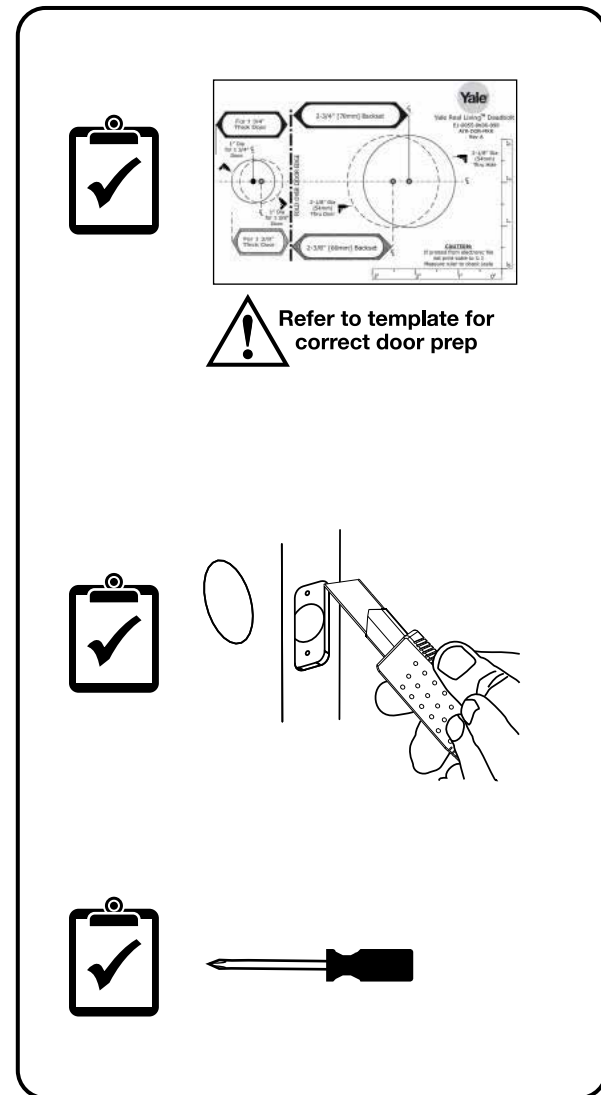
FAILURE TO FOLLOW THESE INSTRUCTIONS COULD RESULT IN DAMAGE TO THE PRODUCT AND VOID THE FACTORY WARRANTY

An ASSA ABLOY Group Brand

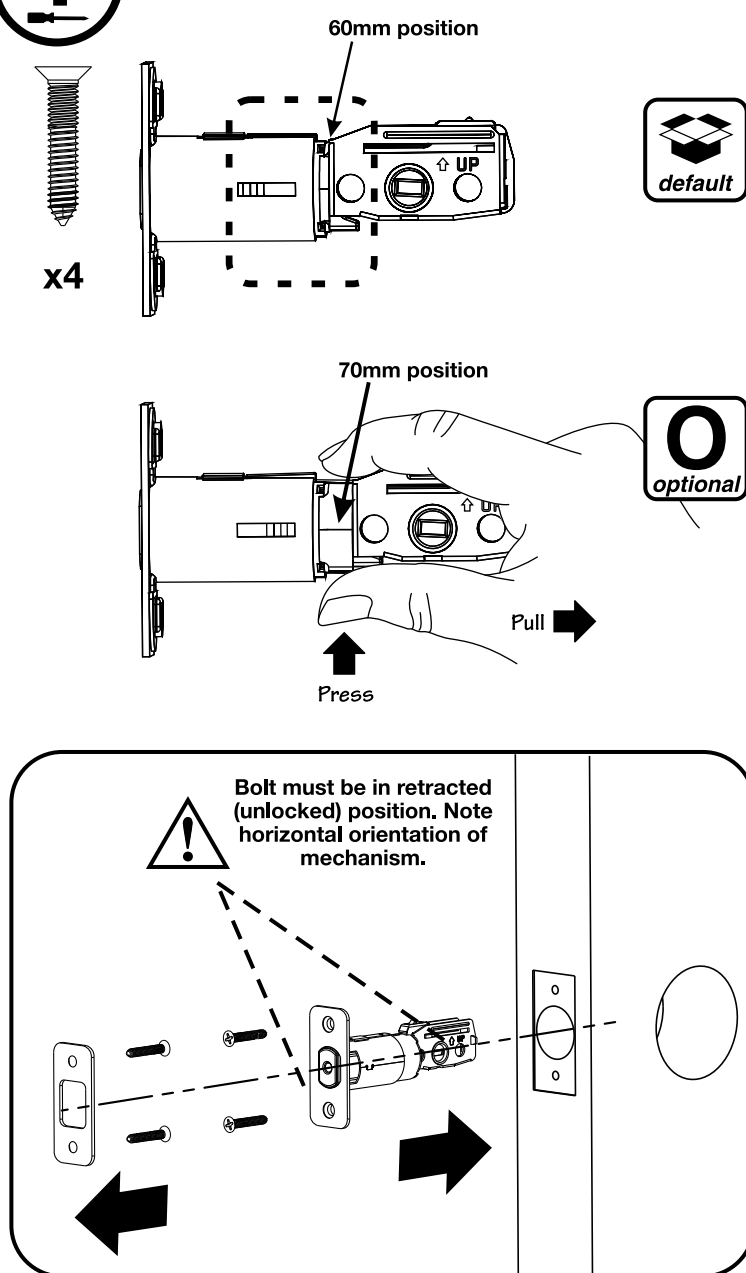
P/N YRD256-121 Issue1 1118

ASSA ABLOY

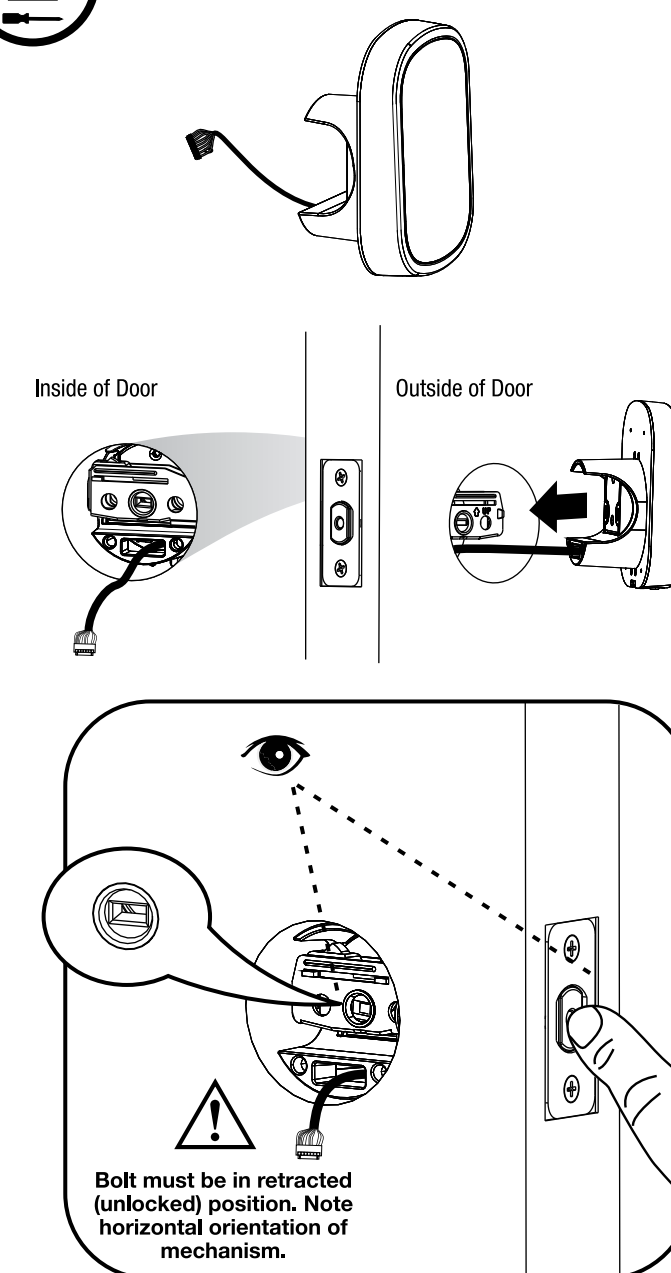
Preparing Door



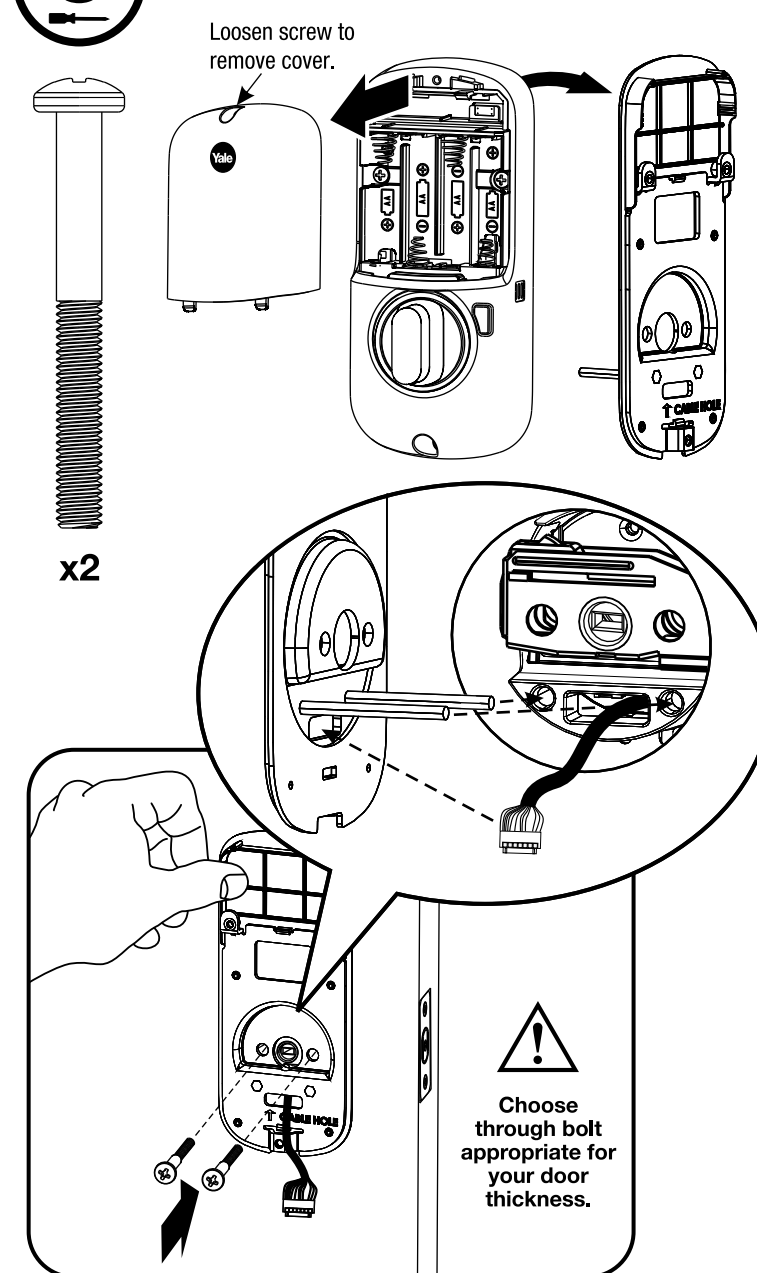
1 Installing Latch & Strike Plate



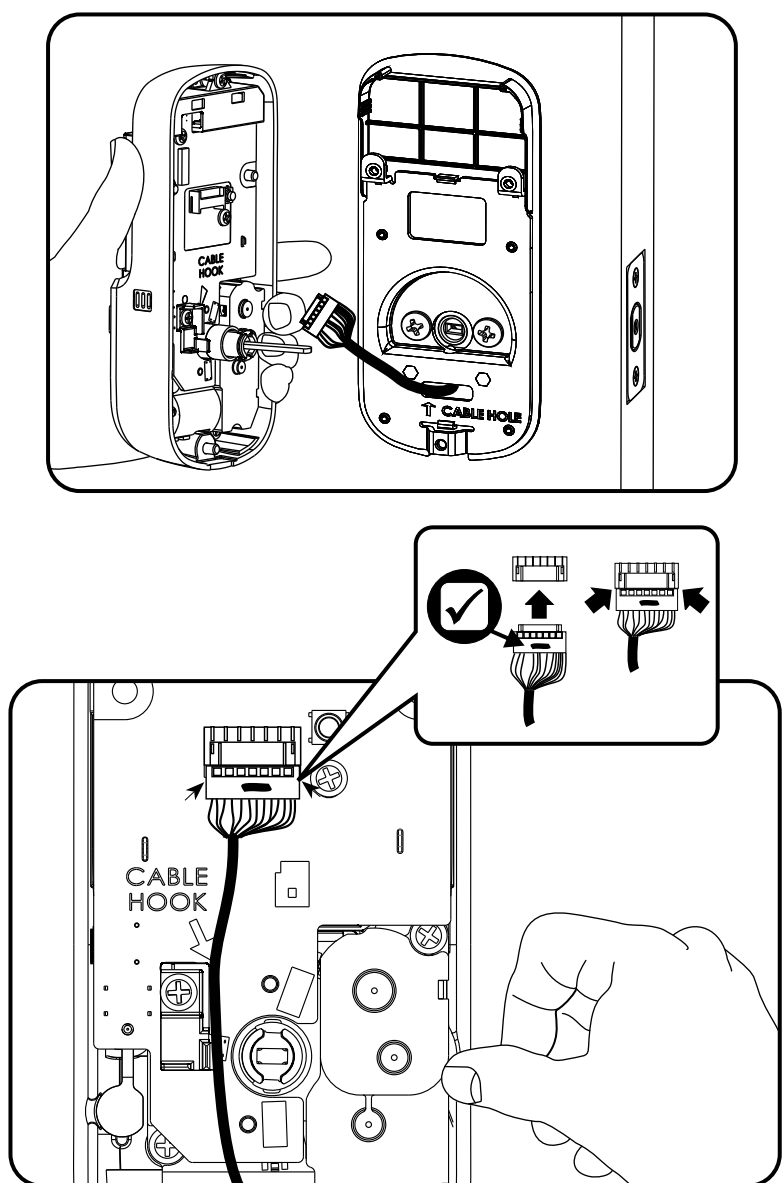
2 Installing Touchscreen Escutcheon



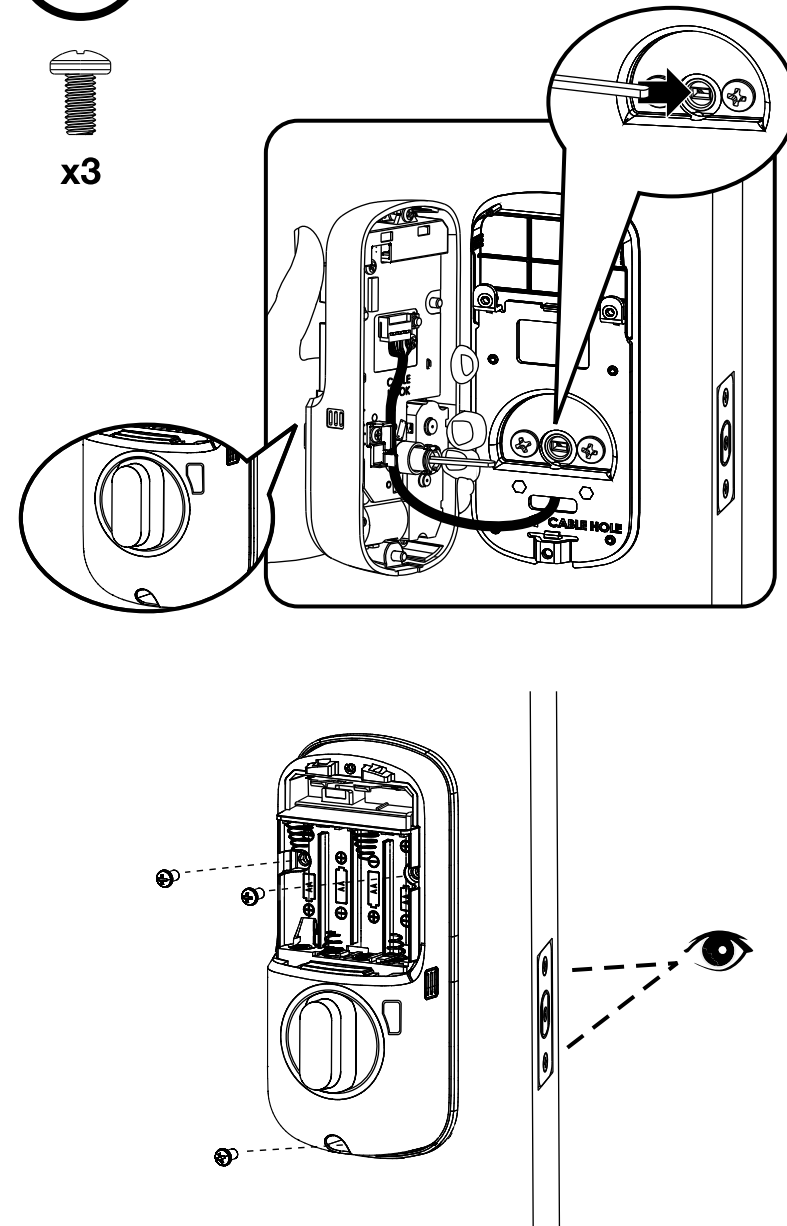
3 Installing Interior Mounting Plate



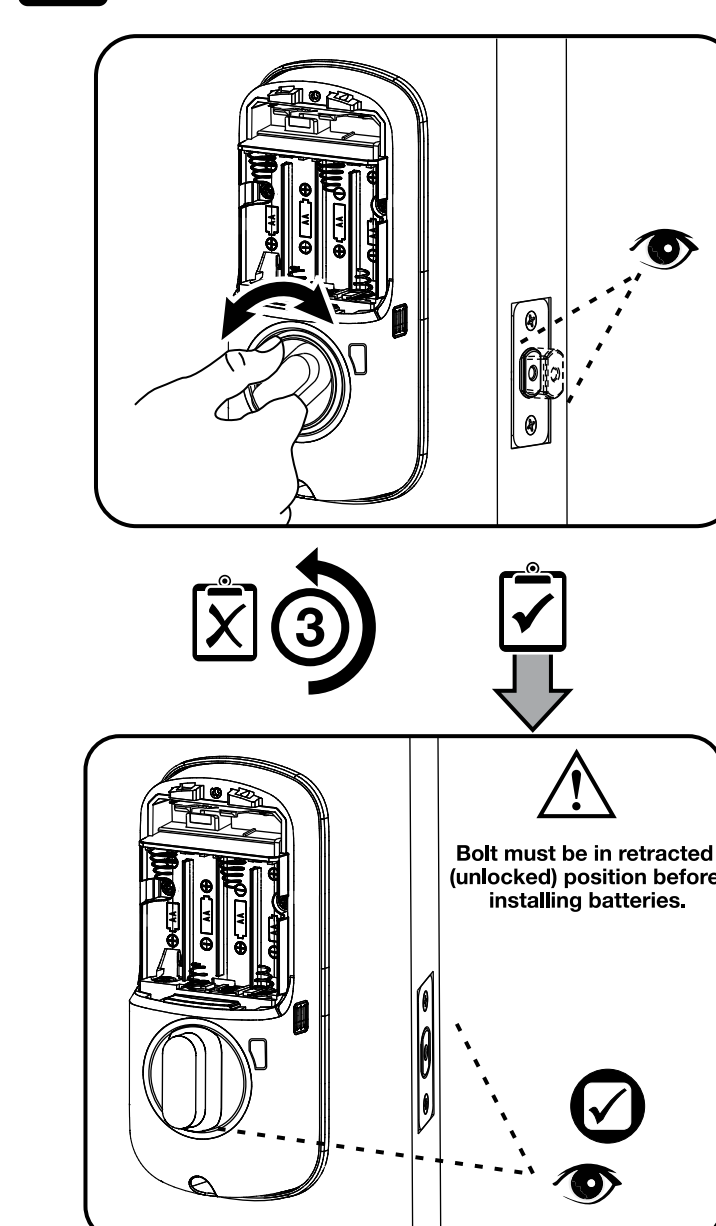
4 Attaching the Cable Assembly



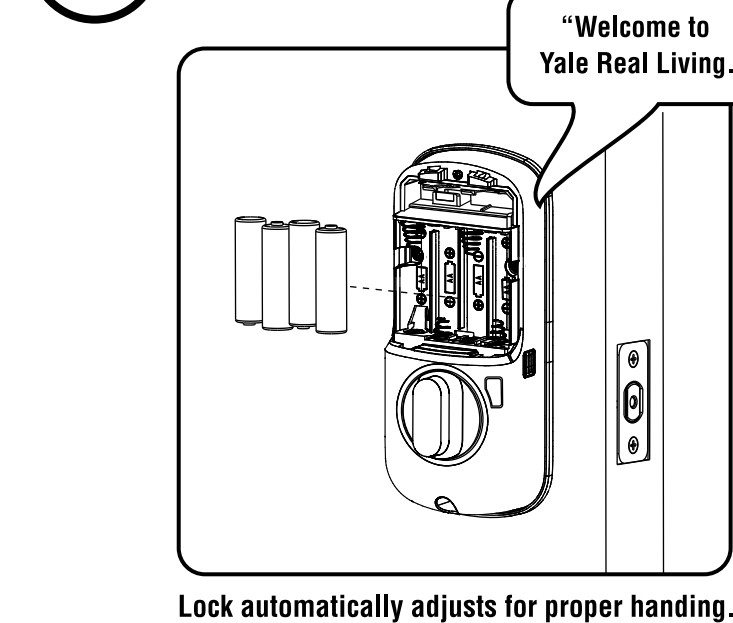
5 Installing Interior Escutcheon



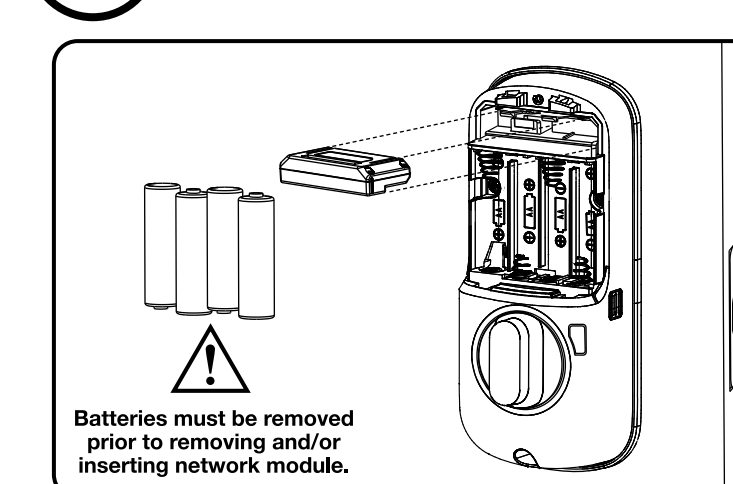
Testing Operation



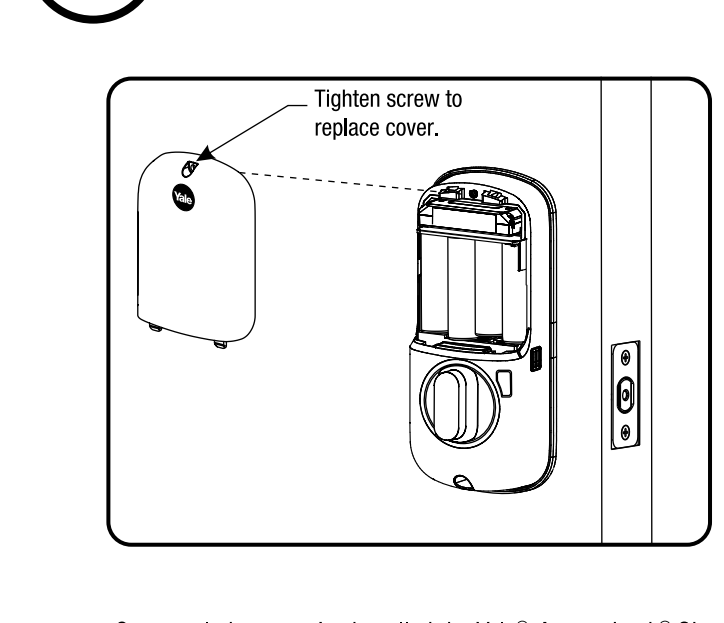
6 Installing Batteries/Handing the Lock



7 Installing Optional Network Module



8 Installing Cover



Congratulations, you've installed the Yale® Assure Lock® SL Key Free Touchscreen Deadbolt. Turn sheet over to Programming Instructions to customise your product.

