

2 Hours Fire Rated

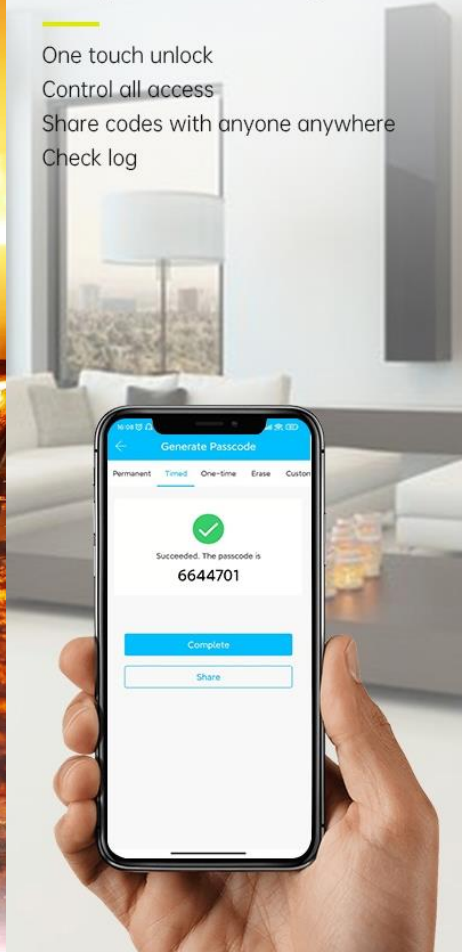
For any buildings or apartments needing a fire rated lock

Keep your home safe



Fully APP Management

- One touch unlock
- Control all access
- Share codes with anyone anywhere
- Check log



Description

The New MLWINDSOR is designed for high rise and multi residential family, also suitable for fire doors, stairways and all emergency exit applications. With fire retardant plastics, a sturdy aluminium alloy frame and stainless steel mortise, the Windsor has passed 2 hours fire rated at 1050 degrees and 250,000 times locking and unlocking test. Waterproof and weatherproof design that keeps your home safe in all kinds of climates, including cold winters, hot summers or rainy days.

The Windsor can be fully managed via app freely, control access to your home and share codes for permanent, temporary or scheduled access with friends, family, and people you trust without distance limitation. Paired with the WiFi gateway, you can unlock your door anywhere anytime, manage users, track lock status, and get the notification in real time, etc.

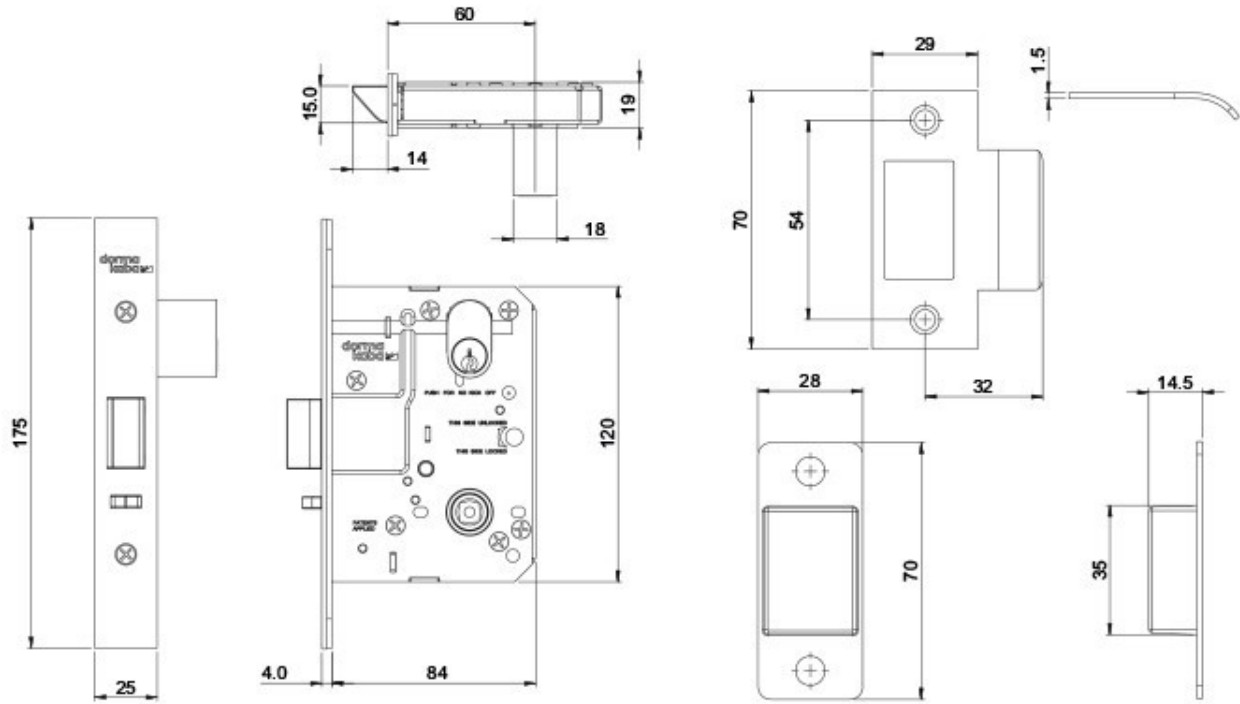
Specifications

- Admin capacity : 1
- User code capacity : 150
- User card capacity : 200
- APP shared code : no limited
- 5. Length of password : 4-9 digits
- 6. Pin keypad type : Capacitance touch keypad
- Communication mode : Bluetooth 4.1ble and above
- Support system : Android 4.3 /IOS 7.0 and above
- Compatible door thickness : 37mm-47mm
- Door swing : Left and right swing doors
- Unlock time : 1.5s
- State current : less than 65uA
- Motor working current : less than 200mA
- Battery voltage : 4.5V-8V
- Low battery warning voltage : lower than 4.8V
- Working Temperature : -20 °C-70°C
- Working Humidity : 10% ~ 97%
- Card working frequency : 13.56MHZ
- RFID card type : Mifare1 card, support S50 and S70
- False acceptance rate(FAR) : Less than 0.001%
- False rejection rate(FRR) : Less than 1%
- Battery life : 18 months
- Support Gateway with WiFi : Yes

Specifications

- Unlocking methods: Bluetooth TT lock APP, Pin Code, RFID card, Manual Key
- Material : Aluminium alloy and glass keypad
- Power supply : 4pcs AA Alkaline battery
- Micro USB interface design for backup power
- Scramble Pin Code Technology : User may enter any random digits before or/and after the correct code and can still gain access, make sure strangers can't steal your code by watching you nearby when you enter the code
- Wrong-Try Lockout : Input wrong password 5 times, the keypad will be frozen for 5 minutes
- Low power Alarm: when battery is lower than 4.8V, buzzer will make alert while each unlocking. It still can keep 50 times unlocking until batteries dead, please replace the batteries in time.
- Suitable for high rise, multi residential, commercial, entrance and emergency egress, etc.
- Back-lit keys can see numbers clearly at night.
- Strong and Sturdy, aluminium alloy housing is enough to withstand the wear and tear of daily use.





Model number	MS2602	MS2902
Dimension A	60mm	95mm
Dimension B	84mm	118mm



Dormakaba MS2602



Dormakaba MS2902

System Specification :

Material	5# Zinc alloy,304#stainless steel, ABS
Available Colour	Black
Door Thickness	37mm – 47mm
Communication	Bluetooth 4.1 BLE and above
Support OS	iOS 7.0 or above, Android 4.4 or above
Battery Life	18 Month
Power Supply	DC 4.5V – 8V: 4pcs AA alkaline batteries
Static Current	< 65uA
Motor working current	<200mA
Unlock Way	M1 card, Passcode, APP, Wristband, Mechanical Key
Unlock Time	1-1.5seconds
Working Temperature	-20~70 degree
Working Humidity	10%~95%
IP Class	(IP66 External Lock Housing) (IP54 Internal Lock Housing)
Available Mortise	Dormakaba MS2602, MS2902
WiFi Gateway	Available
Warranty	Refer to McGrath locks Warranty form
Packing	Carton box with EPE inside

Admin capacity	1
User code capacity	150
User card capacity	200
APP shared code	Unlimited
Length of password	iOS 7.0 or above, Android 4.4 or above
Card working frequency	13.56MHZ
RFID card type	Mifare1 card, support S50 and S70
Fire rating	2 hours fire rated at 1050 degrees
Fire Certificates	On request
Fire rating Certificate No.	FRT210244 R1.0, FRT210213 R1.0
Fire Rating Doors	E-Core, Firecore



INFORMATION AND SAFTY WARNINGS :

1.1 Introduction:

This user manual will guide you through the functions and usages of our MLWINDSOR Bluetooth enabled smart lock. It is important that you follow the instructions and regard all notes that appear throughout this manual. Consult this manual before you attempt to use the lock. If you have questions not answered by this manual or are in need of non-routine service, contact our customer service (Phone Number)

1.2 Safety Warnings:



When reading this manual, note these icons: notes with this icon MUST be read, understood and obeyed to prevent injury or damage.



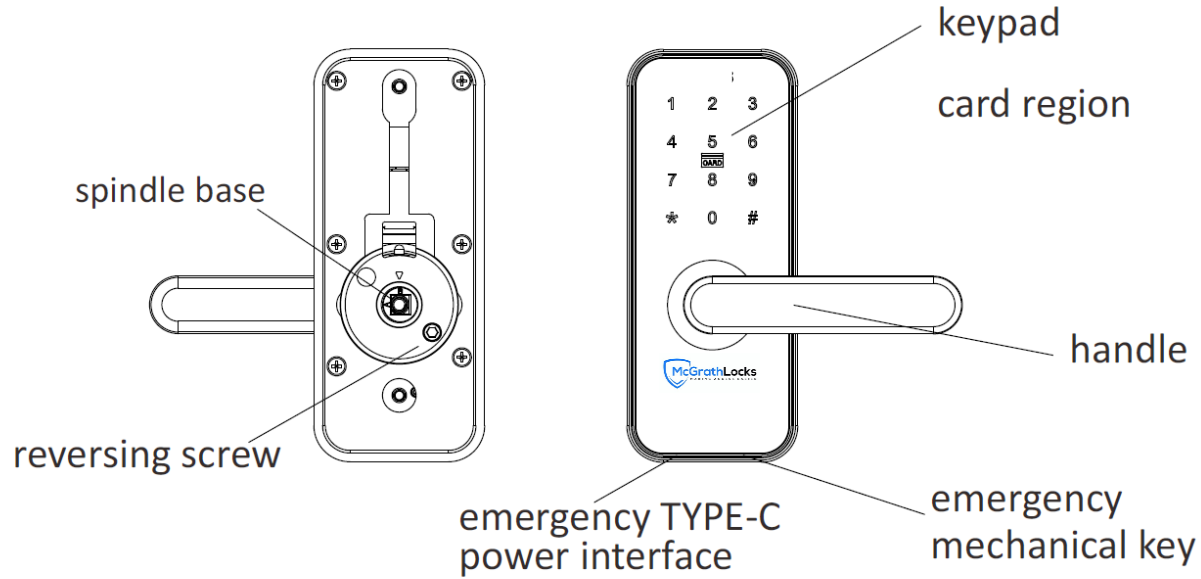
General Usage:

- This lock shall only be used as described in this manual.
- Verify that all parts of the lock are account for. If any parts are missing, contact our customer service.
- In factory default status, the lock is on always open state after you install the lock (no power on). It means handle is free and lock can't be closed, you have to power on the lock with batteries or set admin and pair the lock with app and then the open mode will be changed to private mode automatically.
- Handle directions are reversible, please kindly follow chapter 4 (installation steps3) to change the direction. Should you have any problem, please contact our customer service.
- There is a protective film on the front touch panel, if there are some scratches on the film, don't be scared. The protective film can be removed if you need.
- Use only four AA batteries. Do not mix old and new batteries or batteries from different brands. Never insert objects into the lock other than batteries as described in this manual.
- Verify all surfaces are flat and level before beginning installation, installation on doors or surface with any types of deformity such as gaps or warping may cause the lock to malfunction or fail to operate entirely.
- Never apply any cleaner directly to any part of the lock. Only use clean water and mild cleaner on a soft non-abrasive cloth when cleaning.
- Potential shock warning: do not allow water or liquids to get into lock's electric parts.
- The lock must be used with TT lock app. The lock will function without the app but full functionality may only be achieved when the app is used.

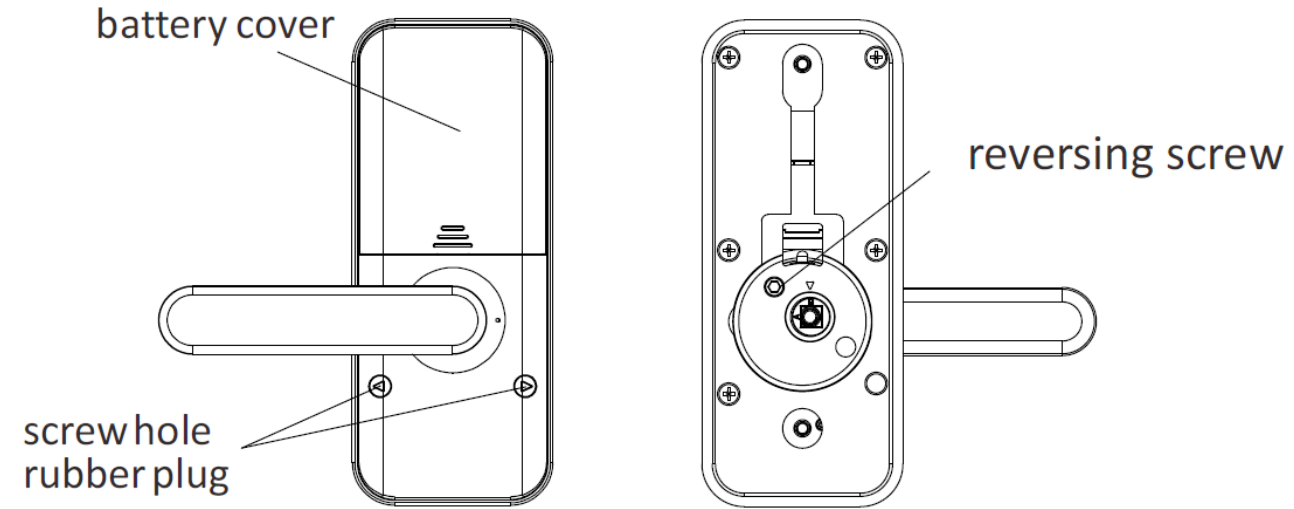


Scan to download TT lock

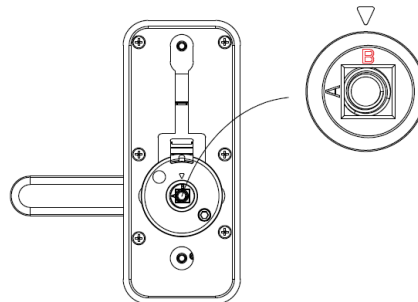
Exterior Assembly Diagram



Interior Assembly Diagram



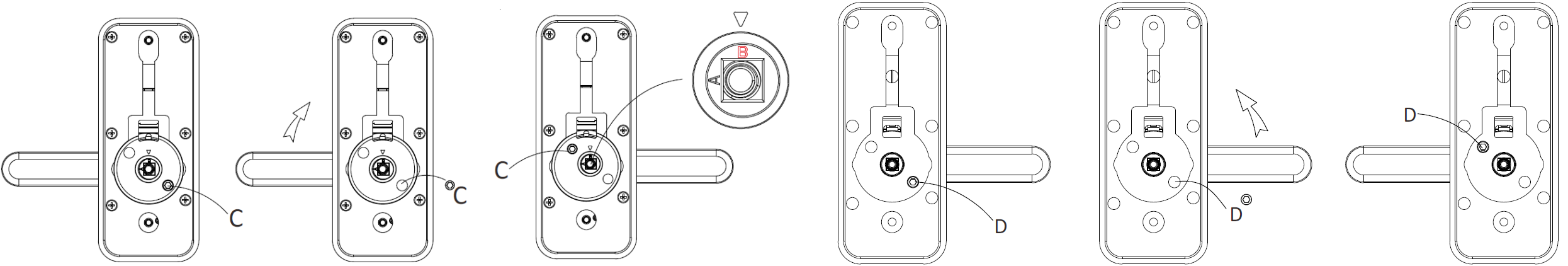
Make sure the "B" towards up to the triangle mark point.



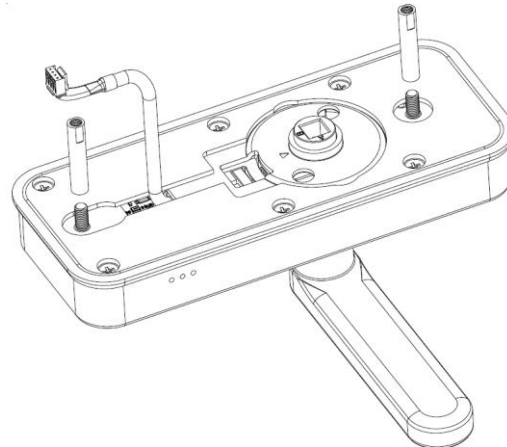
Reverse the handle direction

1. The smart door lock is suitable for left hand and right hand opening door. As default, it's set as right hand, if need to reverse the handle direction to left, as showed in figure, loosen the reversing screw 'C', rotate the handle up 180 degrees, then tighten the screw 'C' back. Turn the direction of 'B' towards up, reverse completely.

2. Reverse the lock handle indoor, loosen the reversing screw D, rotate the handle up 180 degrees, then tighten the screw 'D' back, no need to change the spindle base.

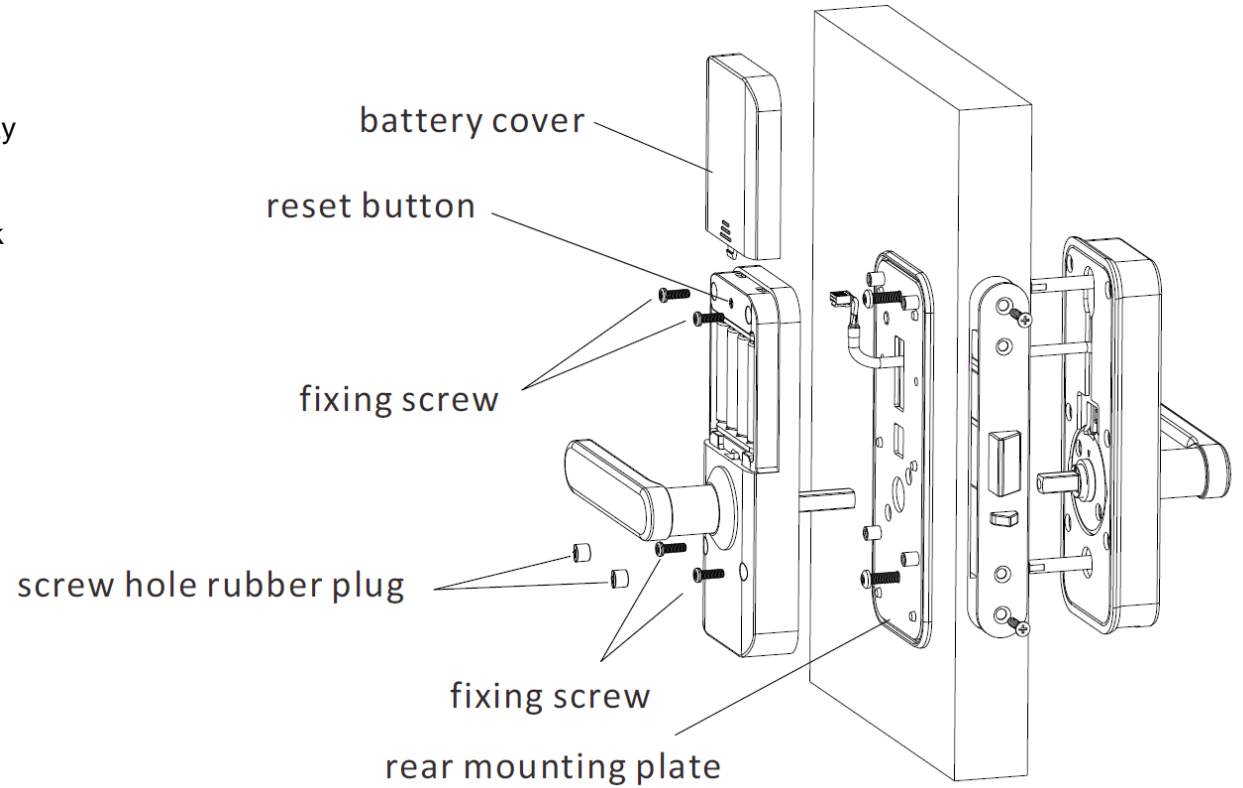
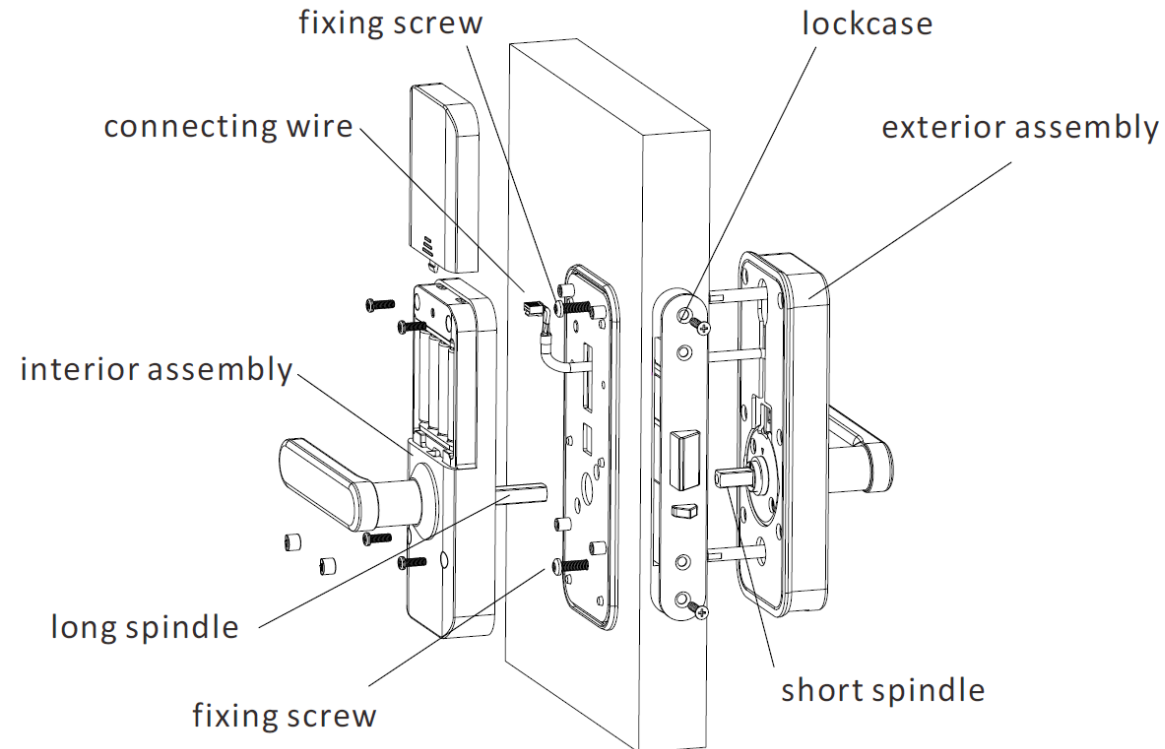


As shown in figure, tighten the two connection screw studs on the external threads of the exterior panel.



Installation steps

1. First install and tighten the lock case according to the door opening direction, and install the strike plate on the door frame.
2. Install the exterior assembly, the short spindle is installed into the front panel, then please pay attention to the connection wire, pull it out from behind the door and sort it out, then install the rear mounting plate behind the door, place the two screws into halfway but don't tighten them yet.
3. Adjust the spindle and the hole of the rear mounting plate, then tighten the two screws.
4. Install the interior assembly, the long spindle is installed into the rear panel, then check whether the spindle spring has been installed in the spindle hole, then connect the wires of the front and rear panel.
5. Tighten the four fixing screws, and install the screw hole rubber plug.



Touch to Unlock

Send Password

Send eKey

Card Management

System Settings

Fingerprints Management

eKey Management

Password Management

View Unlock Record

Authorized Admin

Compatible with Amazon Alexa

Compatible with Google Home

Compatible with Smart Watch

Fire Rated Digital Bluetooth Lock

For high rise and multi residential family fire doors, stairways and all emergency exit, etc

McGrathLocks
MAKING ACCESS EASIER

Make life easier

Unlock the infinite possibilities of your life

Tongtong lock

- Pin code unlock
- Card unlock
- Key unlock
- APP unlock

McGrathLocks
MAKING ACCESS EASIER

User Guide



Download and Install the APP



Scan to download app

Enable your smart phone to scan QR code to download the APP. Also you can search "TT Lock" on APP store or Google play to download the APP.

Setting via lock

If you don't want to use the App, you may follow the programming instructions below.

1 Create NEW Access

Add administrator (only 1):



- Enter *12#
- Input 123456# (the initial code)
- Input admin code# (4-9 digits)
- Repeat admin code#

Add a new user with an access code (150 at most):



- Enter *85#
- Input admin code#
- Input user code# (4-9 digits)
- Repeat user code#

Add a new user with an RFID card (200 at most):



- Enter *85#
 - Input admin code#
 - Swipe the card
- Tips: If your smartphone support NFC, copy the registered RFID card to your smartphone, the phone will be the key to unlock.

2 Modify Code

Modify Admin Code



- Enter *12#
- Input old admin code#
- Input new admin code#
- Repeat the new admin code#

Modify User Code



- Enter *10#
- Input old user code#
- Input new user code#
- Repeat the new user code#

3 Manage the Language



If not register the admin code, the default admin code is 123456

4 Delete User

Delete ALL Access Codes:



- Enter *71#
- Input admin code#

Delete ALL RFID Cards:



- Enter *69#
- Input admin code#

5 Reset the Lock

Long press the Reset button, when hear "please input initialization passcode", input 000#, reset successfully.
All code/card/phone users will be deleted.

6 Demo Mode

The demo mode is turned off by default, when not register the admin code, enter 24679# will open the demo mode.
During the demo mode, input 123456# or any cards can unlock.
After registering the admin, the demo mode will be invalid automatically.

7 Low Battery Alert

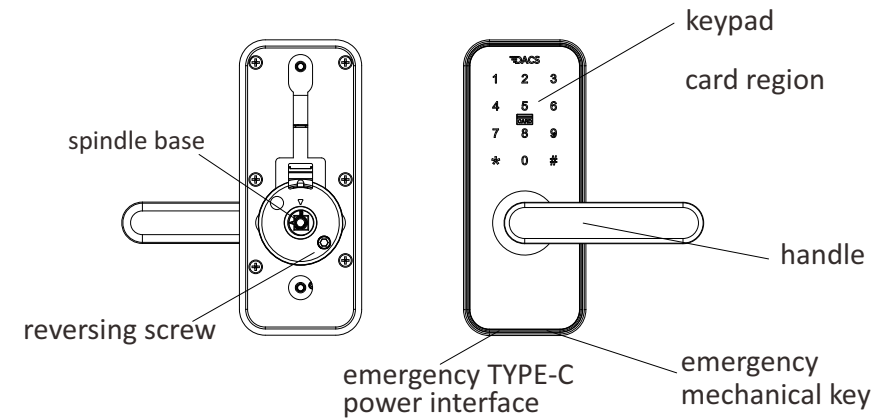
When battery power is lower than 4.8V, each time waking up the keypad, buzzer will make alert "Low battery, please replace the batteries", the keypad light flashes 1s.
Please change with new Alkaline batteries, don't mix new and old batteries.

8 Scrambling Code To Anti Peep

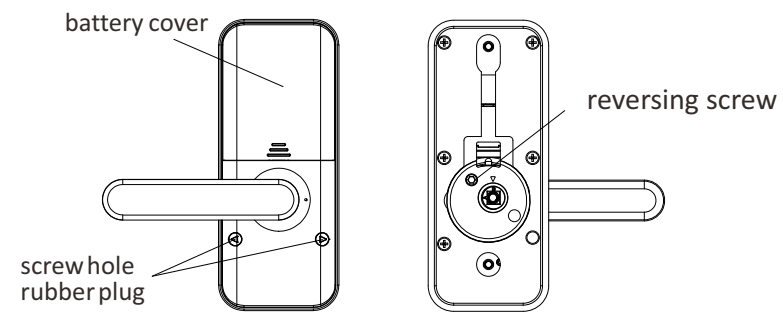
Users may enter any random digits before or/and after the correct passcode and can still gain access, make sure strangers can't steal your passcode by watching your nearby when you enter the passcode.

Installation Instructions

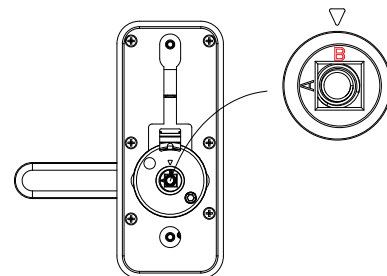
Exterior Assembly Diagram



Interior Assembly Diagram

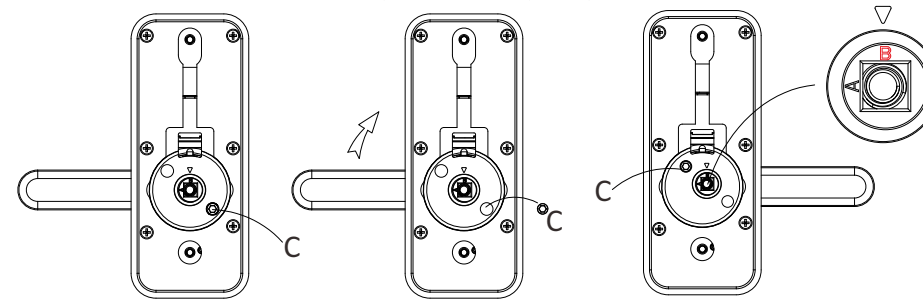


I Make sure the "B" towards up to the triangle mark point.

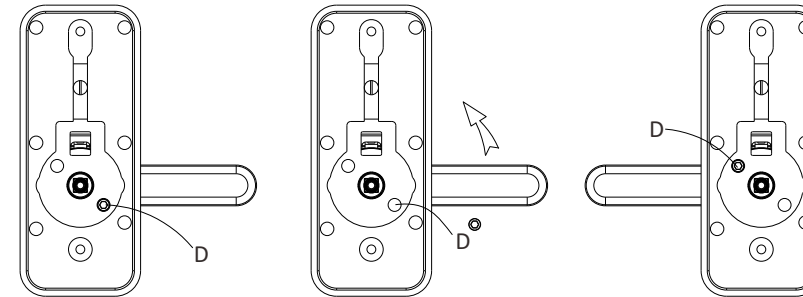


Reverse the handle direction

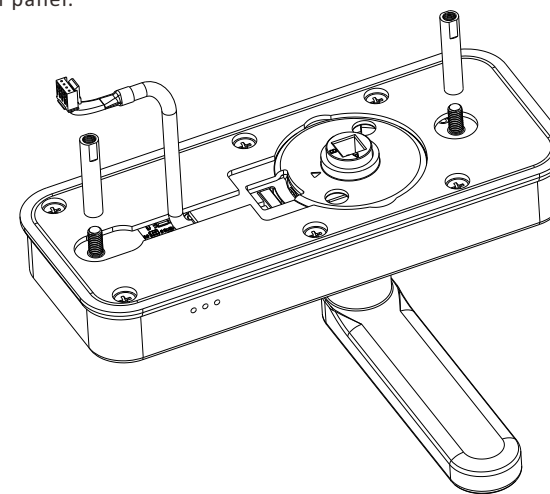
1. The smart door lock is suitable for left hand and right hand opening door. As default, it's set as right hand, if need to reverse the handle direction to left, as showed in figure, loosen the reversing screw 'C', rotate the handle up 180 degrees, then tighten the screw 'C' back. Turn the direction of 'B' towards up, reverse completely.



2. Reverse the lock handle indoor, loosen the reversing screw D, rotate the handle up 180 degrees, then tighten the screw 'D' back, no need to change the spindle base.



As shown in figure, tighten the two connection screw studs on the external threads of the exterior panel.



Installation steps

1. First install and tighten the lockcase according to the door opening direction, and install the strike plate on the door frame.
2. Install the exterior assembly, the short spindle is installed into the front panel, then please pay attention to the connection wire, pull it out from behind the door and sort it out, then install the rear mounting plate behind the door, place the two screws into halfway but don't tighten them yet.
3. Adjust the spindle and the hole of the rear mounting plate, then tighten the two screws.
4. Install the interior assembly, the long spindle is installed into the rear panel, then check whether the spindle spring has been installed in the spindle hole, then connect the wires of the front and rear panel.
5. Tighten the four fixing screws, and install the screw hole rubber plug.

