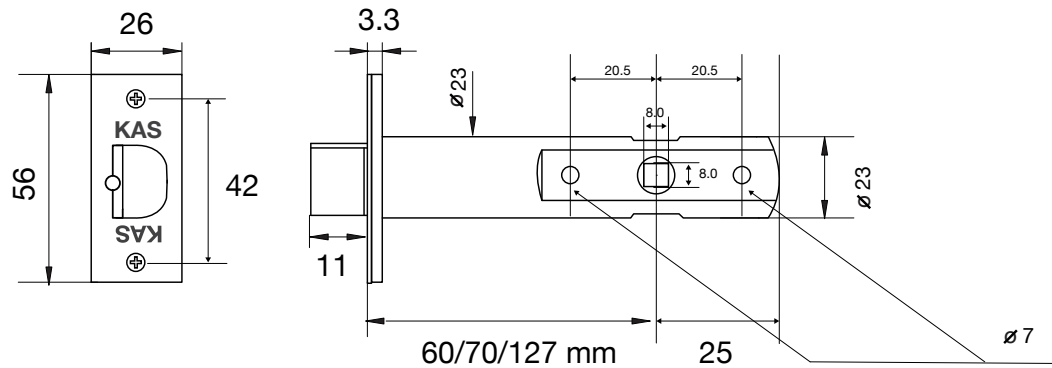


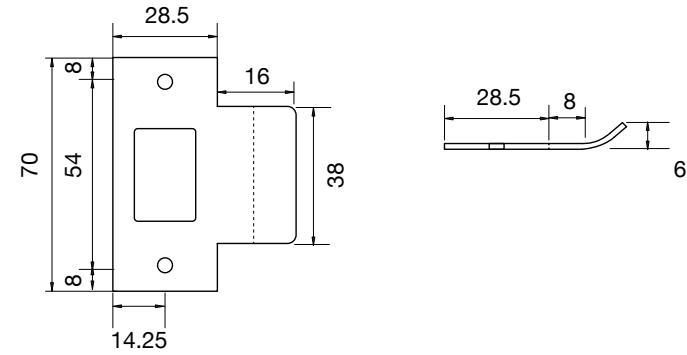
## Latch Dimensions



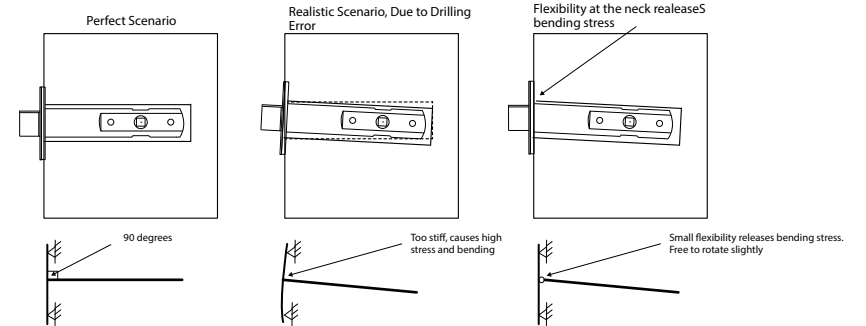
3 latch backset options  
 60mm backset  
 70mm backset  
 127mm backset

All other dimensions are identical

## Strike Plate



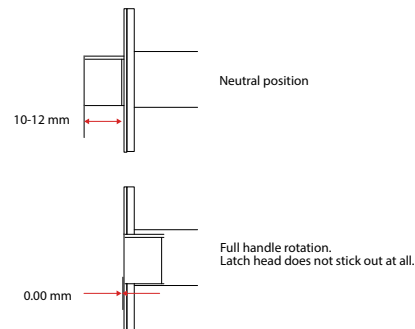
## Tube Flexibility



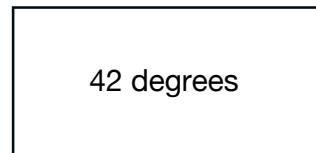
## Backset extender

To be discussed...

## Throw/Retraction



## Turning Angle



## Latch Head Shape

