

Platinum Lock (KAS Access) Specifications

Contents

Platinum Lock (KAS Access) Specifications.....	1
Introduction.....	3
Technical Specification	4
Dimensions	5
Lock Dimensions	5
Tubular Latch Dimensions.....	5
Mortice Latch Dimensions.....	6
Drilling Diagram	6
Handle Dimensions	7
Mechanical Key	7
Maintenance	7



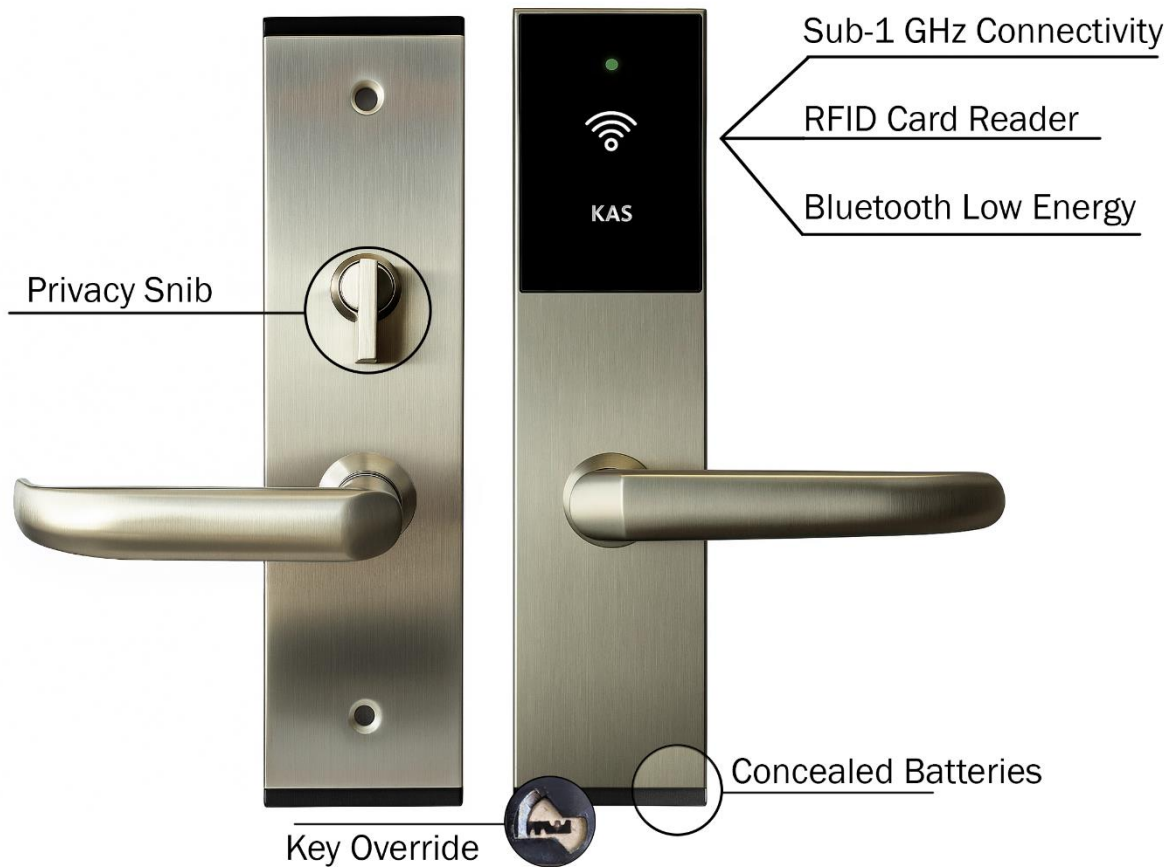
Introduction

The Platinum is a modern lock that appeals to the modern environment. It is a feature rich and durable lock hardware perfectly suitable to any type of accommodation site.

It supports both the current KAS Access system and the offline-focused Lock-S system.

Supports the latest technologies including:

- RFID technology
- Bluetooth Access
- Sub-1 GHz wireless connectivity

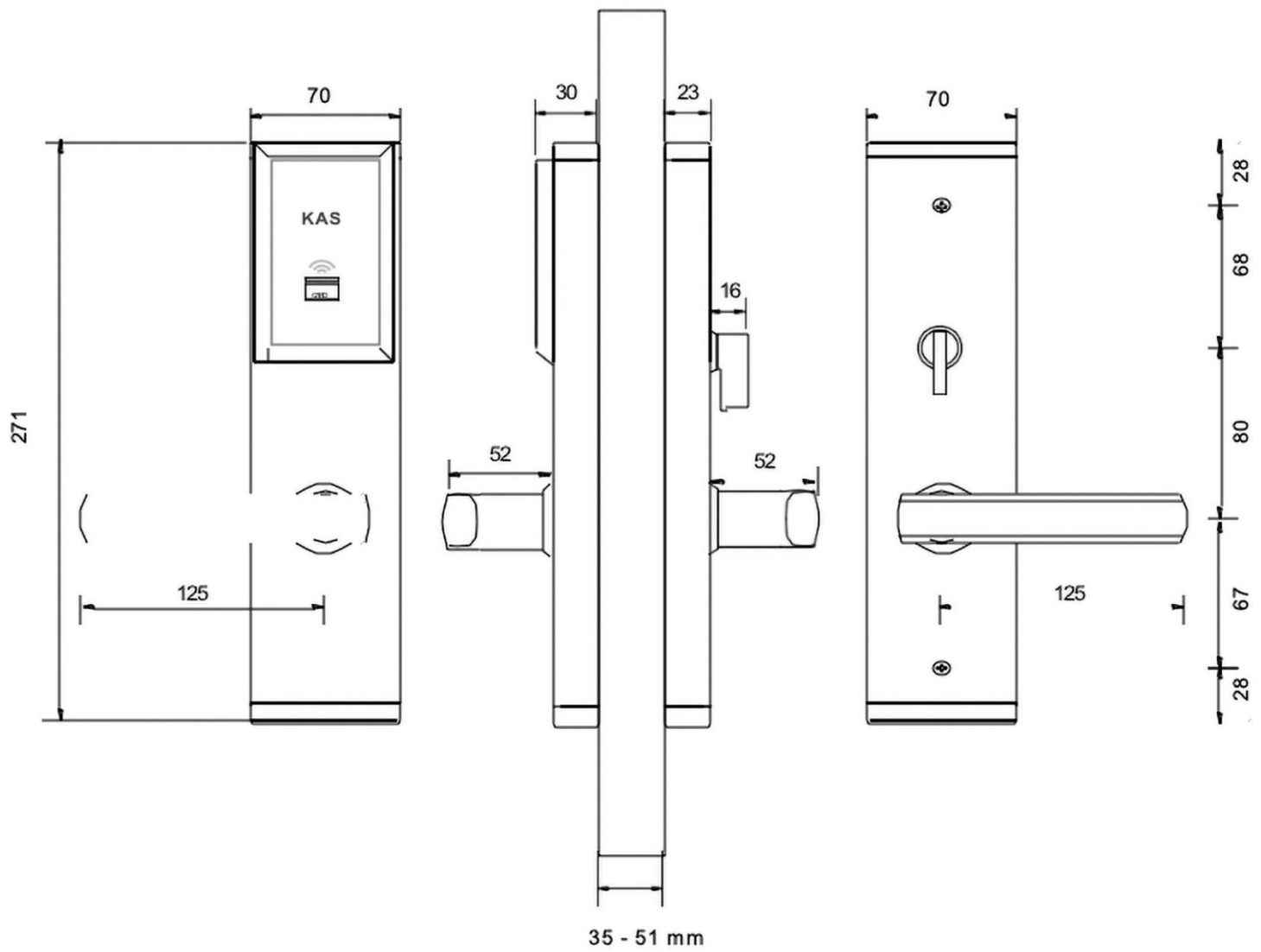


Technical Specification

Door thickness	34 – 55 mm thickness
RFID Specifications	13.56MHz Technology ISO 14443A (MIFARE)
Wireless Technologies	Bluetooth Low Energy (BLE) Smart 4.0, Sub-1 915MHz Wireless Connectivity
Working Voltage	DC 4.5V, (3 x AA alkaline batteries)
Limited Voltage	DC 3.0V
Working Temp	-20 to 60 Degrees Celsius
Working Humidity	20% - 90%
Emergency Power Supply	Not applicable (Battery Case accessible from the outside)
Card Read Time	<0.8s
Warnings	Low battery warning function
User interface	2 coloured LED display (green, red) with buzzer
Keypad Display	N/A
Battery location	Outside of the room
Privacy snib	Not Applicable for KAS Access
Material	Body: 304 Stainless Steel, Reader: High quality plastic
Handle direction	Not reversible – Left handle and Right handle selection required
Mechanical key override	2 x unique mechanical keys (supplied per lock)
Certifications	Fire rated to AS standards (up to 2 hours)

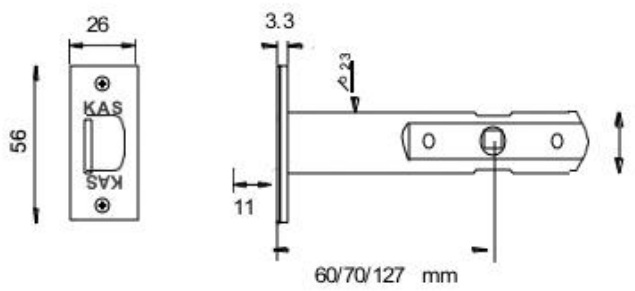
Dimensions

Lock Dimensions

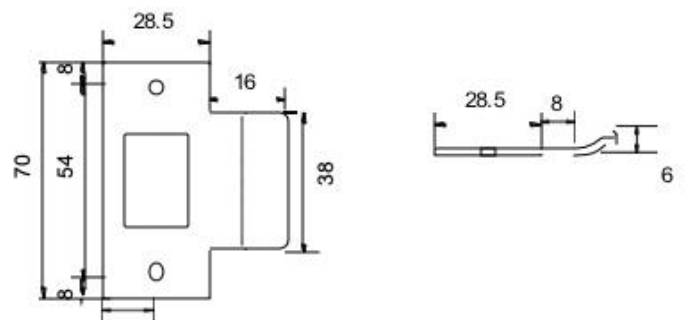


Tubular Latch Dimensions

Latch Dimensions

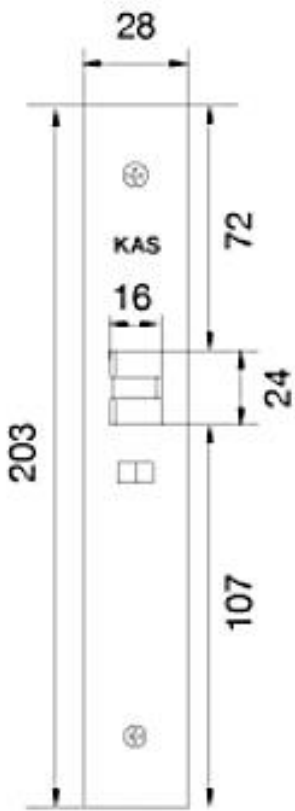


Strike Plate

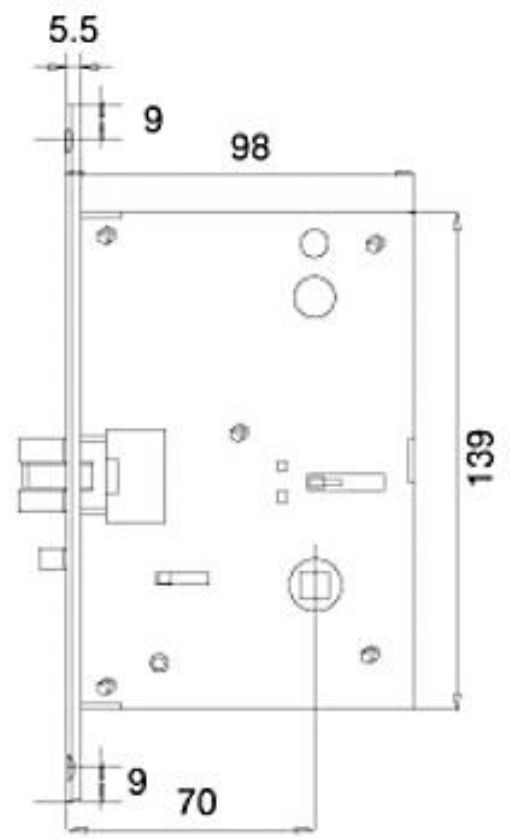
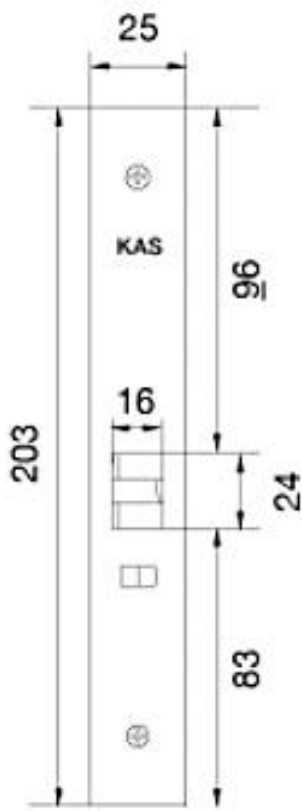


Mortise Latch Dimensions

ML-V

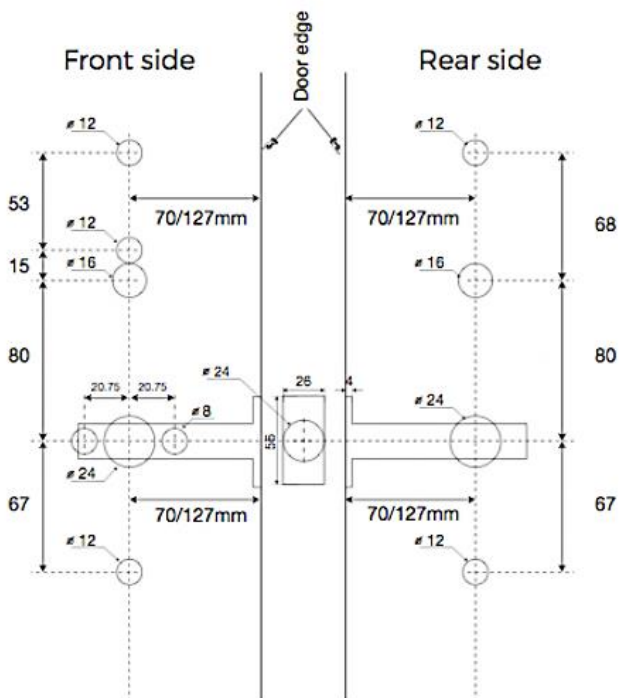


ML-S

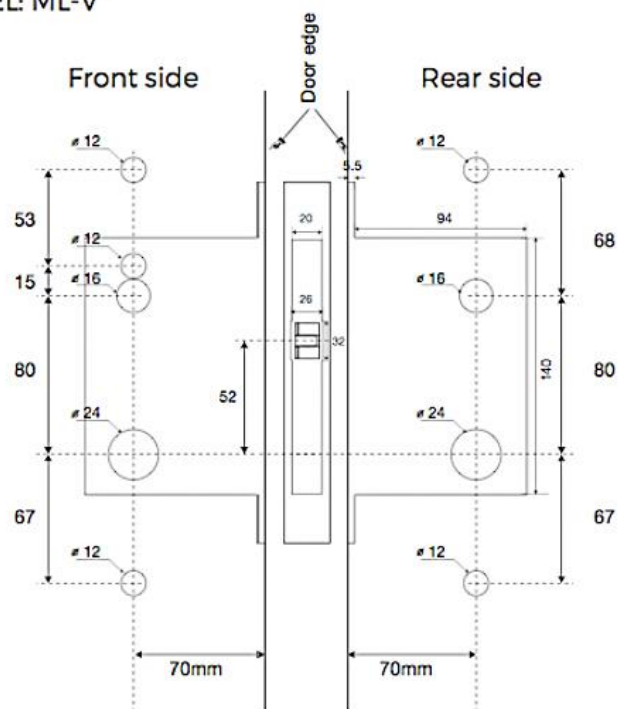


Drilling Diagram

TL-Tubular Latch

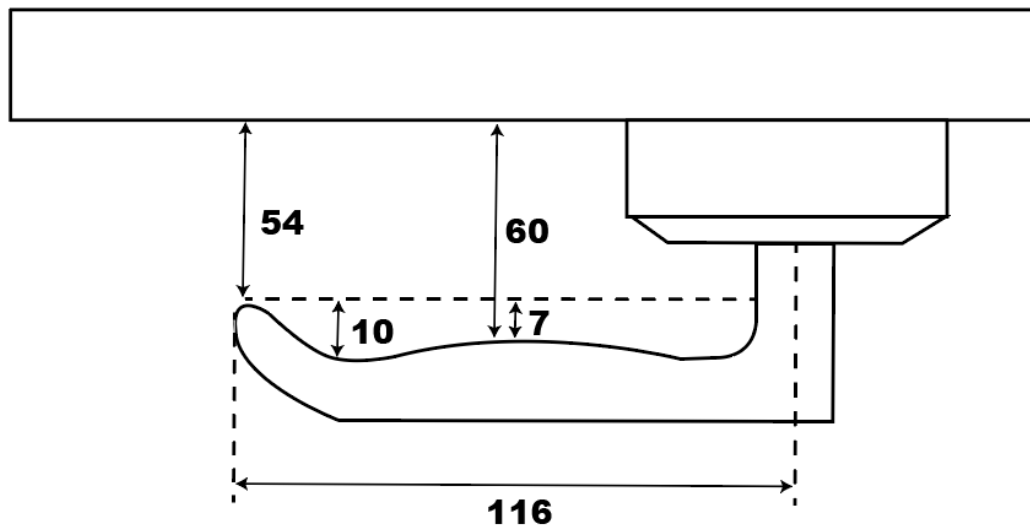


ML-Mortise Latch
 MODEL: ML-V



Handle Dimensions

Platinum Handle.



Mechanical Key

The Platinum Lock has a concealed mechanical key barrel for emergency override. In the case of electronic malfunction, the mechanical keys can open the door. 2 mechanical keys are provided per lock.

Maintenance

- Please ensure that the latch is lubricated using a PTFE-based dry lubricant and check its operability every 6 months, and re-apply lubrication as required.
- After installing the Tubular Latch, ensure any debris or dirt are cleaned out. Failure to do so may damage the latch and affect your warranty