


4400 ECP SERIES



BL4401 ECP (EASI-CODE PRO)

FEATURES

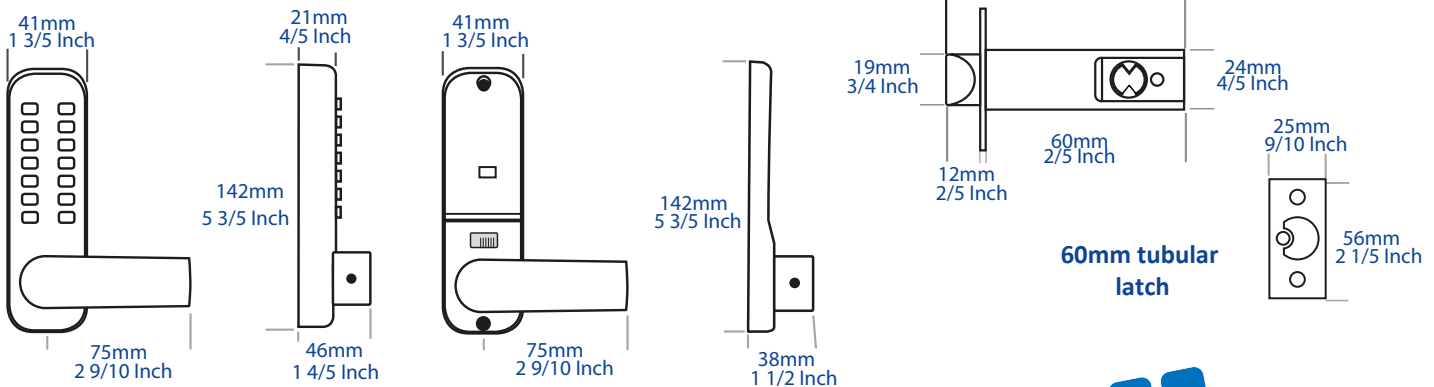
-  On door code change
-  Optional holdback
-  1000 hours salt spray tested
-  Over 4000+ combinations
-  Reversible on site
-  Optional code change disabling plug



SPECIFICATION

- Construction:** Cast housing & knob with s/steel buttons
- Buttons:** 14 buttons; 12 coded, 1 clear, 1 code change
- Finishes:** Black marine grade external coating (MG Pro)
- Fixings:** 8mm flat bladed sprung spindle and M4 s/steel fixings to suit gates up to 85mm
- Door type:** Designed to be fitted on internal or external wooden and timber gate/doors
- Deadlatch:** Anti-thrust pin ensures automatic locking when the door is closed

PRODUCT DIMENSIONS



4400 Series keypad

4400 Series Inside Handle

WWW.BORGLOCKS.COM

TEL: 0800 44 88 377

Borg Locks (UK) Ltd Unit 9 Upminster Trading Park, Warley Street, Upminster, Essex RM14 3PJ UK

